

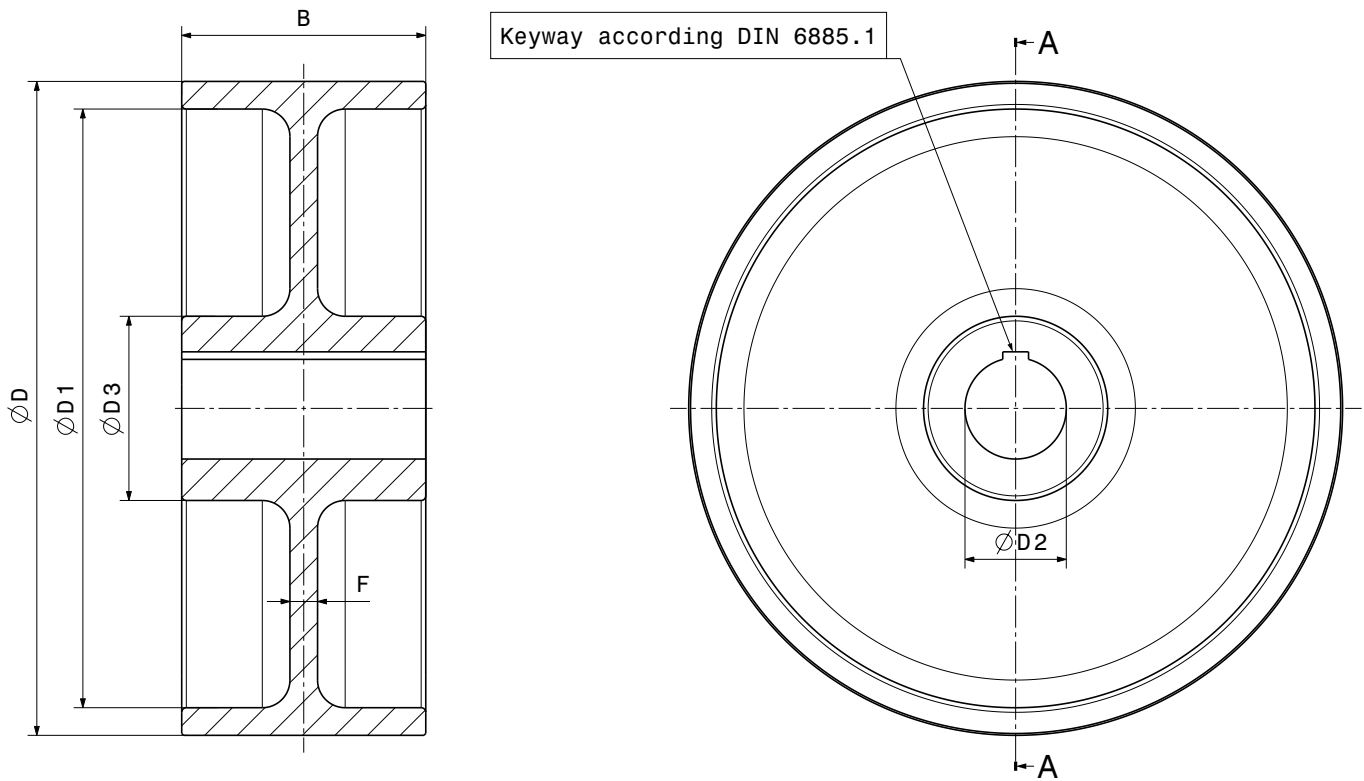


BRAKE DRUM

DIN 15 431

M 1501 94 E-EN-2001-10

Section A-A



D x B mm	dyn. balancing req. from r.p.m.	Ød ₂ trial bore mm	max. final bore Ød ₂			Ø d3	Ø d1	e	f	weight at trial bore kg		inertia kg m ²	
			GG mm	GGG GS mm	St 52-3 mm					GG	St	GG	St
Ø 200x75	2500	20	50	55	55	80	176	12	12	8,1	8,7	0,04357	0,04792
Ø 250x95	2000	25	62	68	68	100	220	15	15	16,0	17,3	0,13183	0,15213
Ø 315x118	1570	30	80	90	90	130	285	15	15	28,3	30,7	0,40066	0,44072
Ø 400x150	1240	35	90	100	100	145	365	17,5	17,5	51,0	55,2	1,1311	1,24421
Ø 500x190	990	50	100	110	110	160	460	20	20	87,7	95,0	3,2467	3,57137
Ø 630x236	790	50	110	120	120	180	580	25	25	165,4	179,1	9,288	10,2168
Ø 710x265	700	70	125	135	135	200	650	30	30	241,4	261,4	16,733	18,4063

Other dimensions upon request.