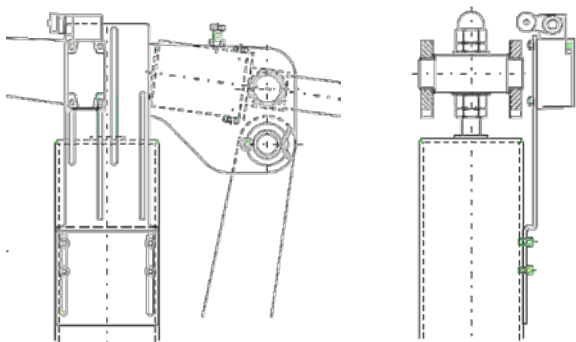


DRUM BRAKE OPTIONS

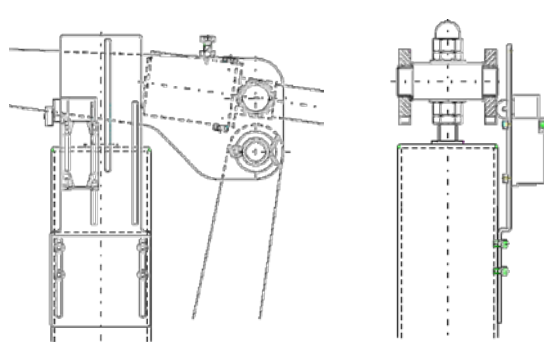


M 1501 206 E-EN-2011-08

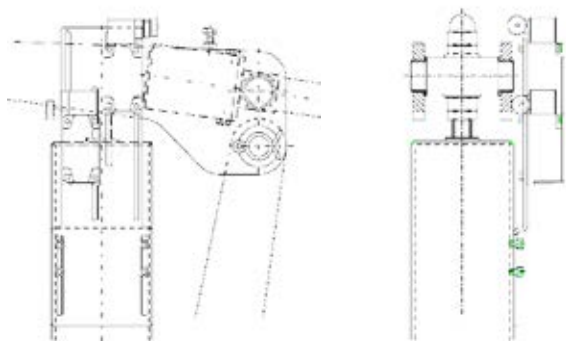
mechanical limit switch „brake open“ as per
WN 200/51 with switch Z4VH336-11z



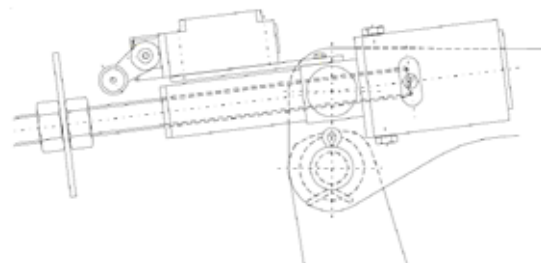
mechanical limit switch „brake closed“ as per
WN 200/52 with switch Z4VH336-11z



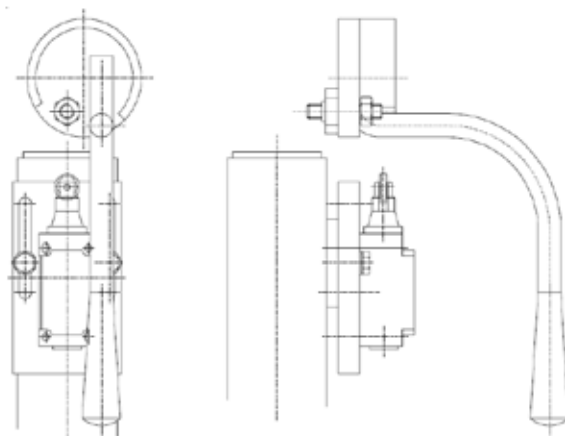
mechanical twin limit switch „open & closed“
as per WN 200/53 with switch Z4VH336-11z



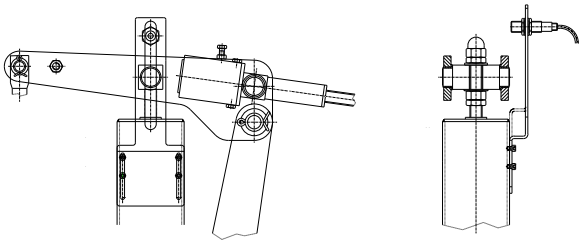
mechanical limit switch „pad wear limit“ as
per WN 200/04 with switch Z4VH336-11z



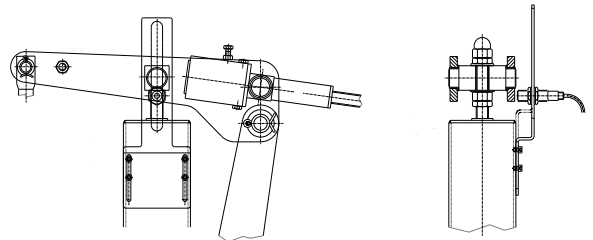
emergency manual release with mechanical
limit switch ZR336-11z for indication
„manual release engaged“ as per WN 200/03



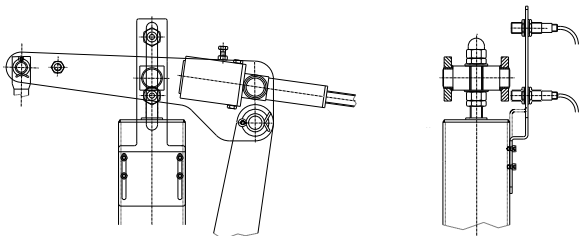
inductive proximity switch „brake open“ as per
WN 200/54 with sensor Bi5-M18-AZ3X



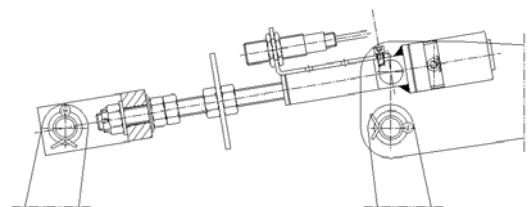
inductive proximity switch „brake closed“ as
per WN 200/55 with sensor Bi5-M18-AZ3X



inductive proximity switch „open & closed“ as
per WN 200/56 with sensor Bi5-M18-AZ3X



inductive proximity switch „pad wear limit“ as
per WN 200/04-1 with sensor Bi5-M18-RZ3X



emergency manual release with inductive pro-
ximity switch Bi5-M18-AZ3X for indication
„manual release engaged“ as per WN 200/03

