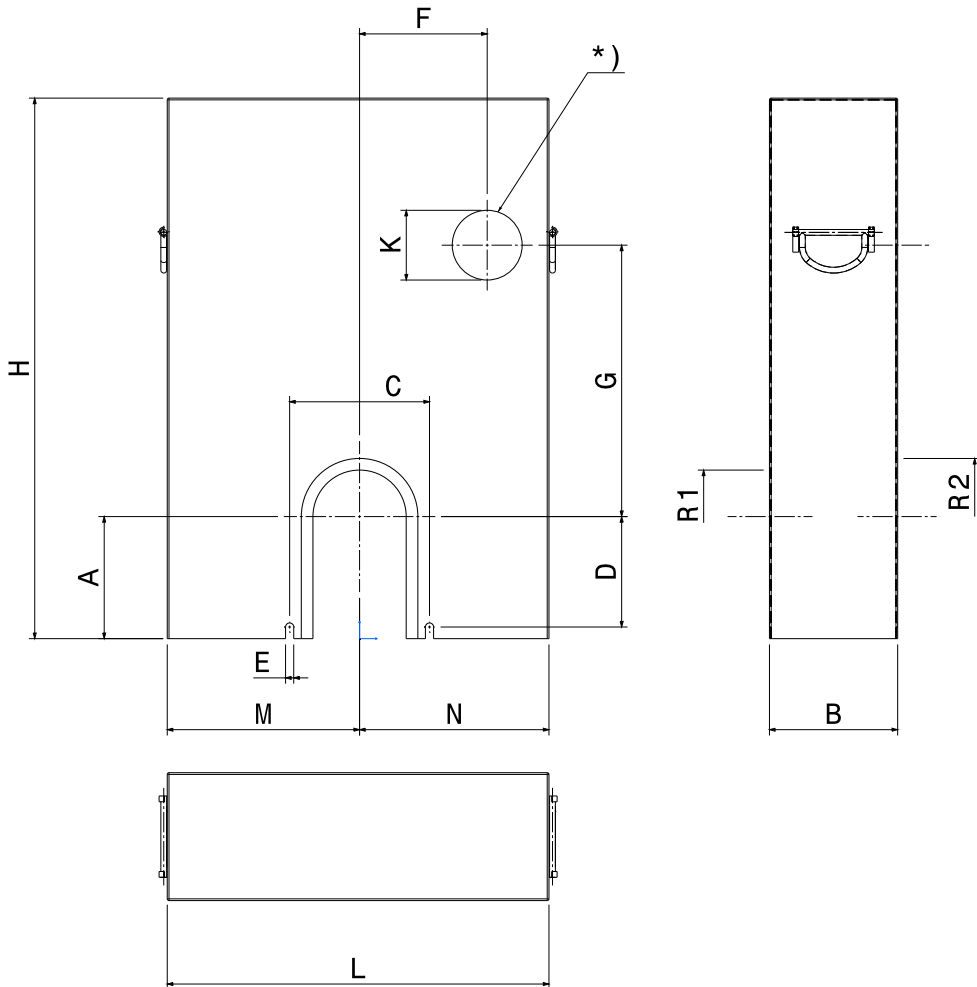


DRUM BRAKE

Protection cover for SBH



M 1501 1012 E-EN-2007-11



- plate thickness: 2 mm
- all covers are provided with handles
- other dimensions upon request (e.g. if R1, R2 larger than max. value)
- possible option hand lever hole (standard shown, left hand operation) *)

WHEN ORDERING PLEASE ADVISE:

- drum brake type
- dimension R1
- dimension R2

BRAKE TYPE	A	B	F	C	D	E	H	L	M	N	R1/R2 max.	G	K Ø	Thread rod
SBH 200	155	220	150	140	120	14	775	530	275	255	50	313	130	M12 x 105
SBH 250 / 23;30	175	220	142	180	150	14	875	535	295	240	70	397	130	M12 x 105
SBH 250 / 50	175	220	200	180	150	14	915	600	295	305	70	397	130	M12 x 105
SBH 315 / 23;30	215	220	219	240	185	14	945	665	340	325	100	467	130	M12 x 105
SBH 315 / 50;80	215	220	219	240	185	14	970	665	340	325	100	467	130	M12 x 105
SBH 400	260	260	242	320	233	18	1040	800	420	380	140	494	130	M16 x 105
SBH 400 / 121	260	260	224	320	233	18	1200	910	510	400	140	507	130	M16 x 105