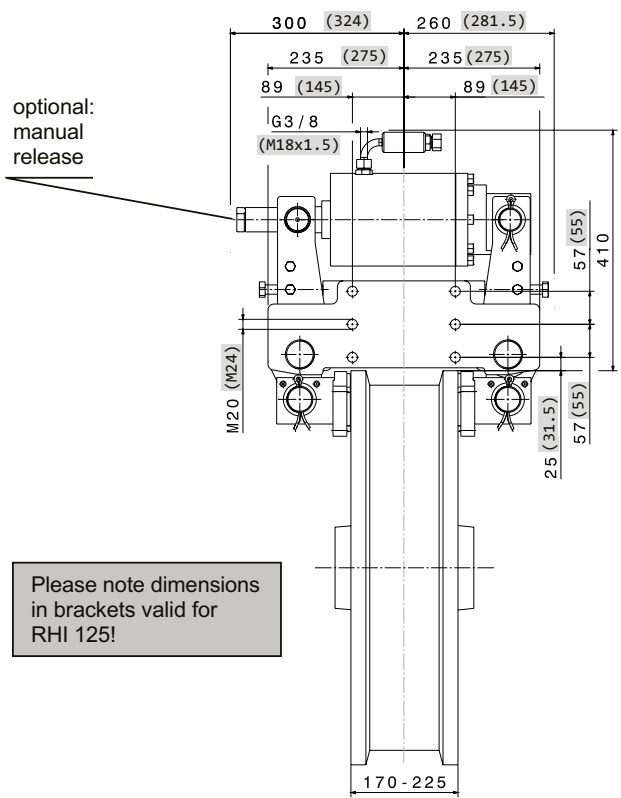




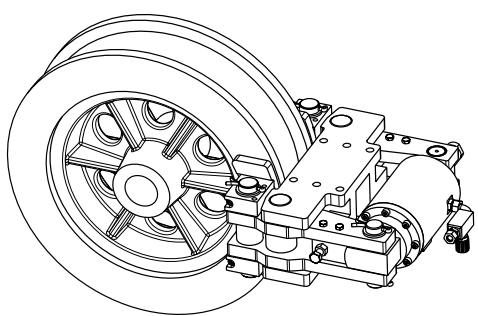
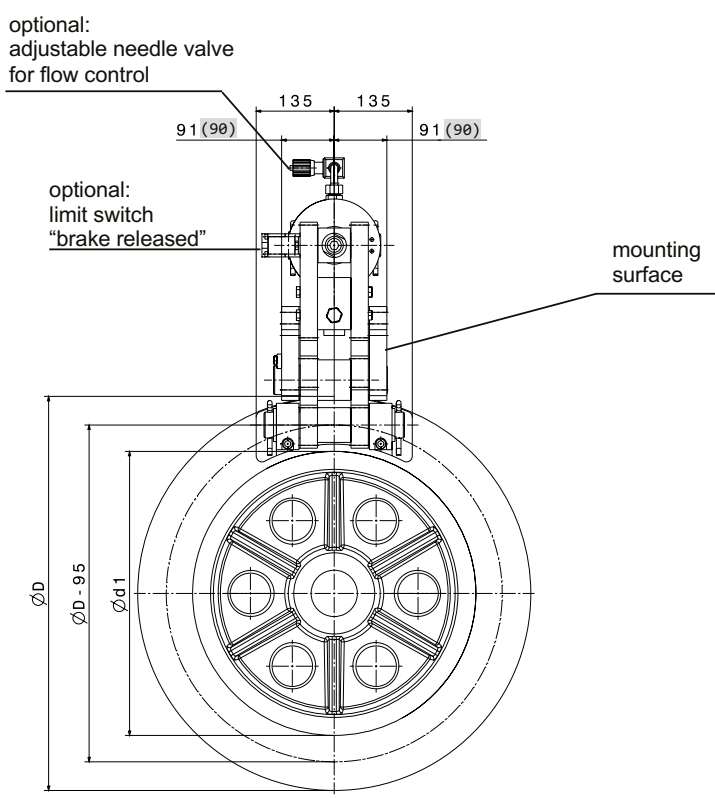
WHEEL BRAKE

RHI 30/56/70/85/125

M 1501 307 E-EN- 2013-11



Please note dimensions in brackets valid for RHI 125!



RHI-Type		30	56	70	85	125	
Braking Force FB ($\mu = 035$)							
FB	@ air gap c = 1,5 mm	kN	30	56	70	85	125
Torque Calculation							
MBr	braking torque in Nm	FB x (D-95)/2					
Hydraulic							
PL	req. release pressure	bar	40	65	80	90	90
Pmax	max. operating press.	bar	85	110	110	150	150
Vmax	oil volume @ c=1,5mm	ltr	0,18				
Wheel dimensions							
b	wheel width	mm	170 - 225				
D	wheel diameter	mm	ØD				
d1	max. inner diam.	mm	d- 95 mm				
Mass							
L x W x H = === x (===+b) x === mm							
weight: 180 kg							

Linings		
material		sinter
average friction coeff	μ	0,35