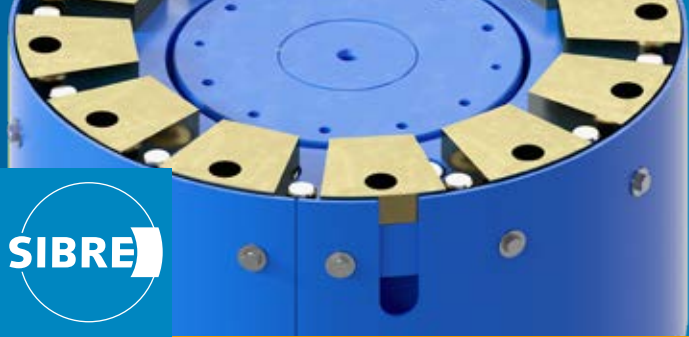
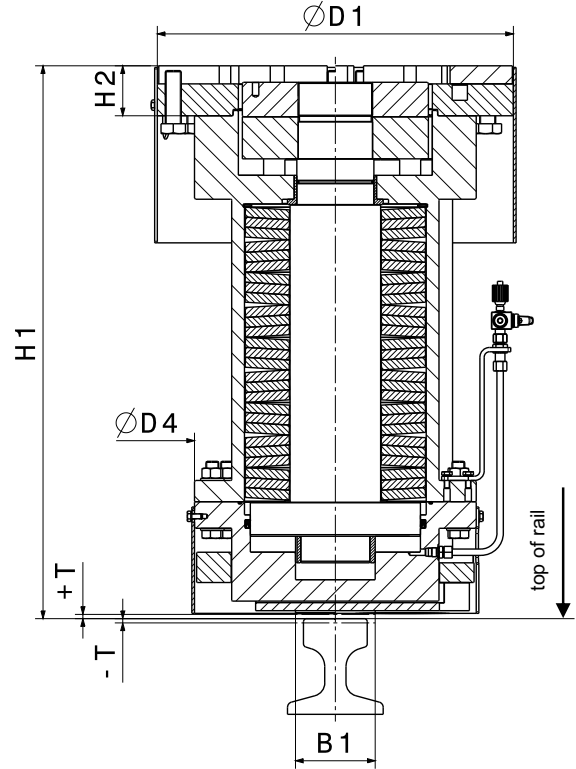
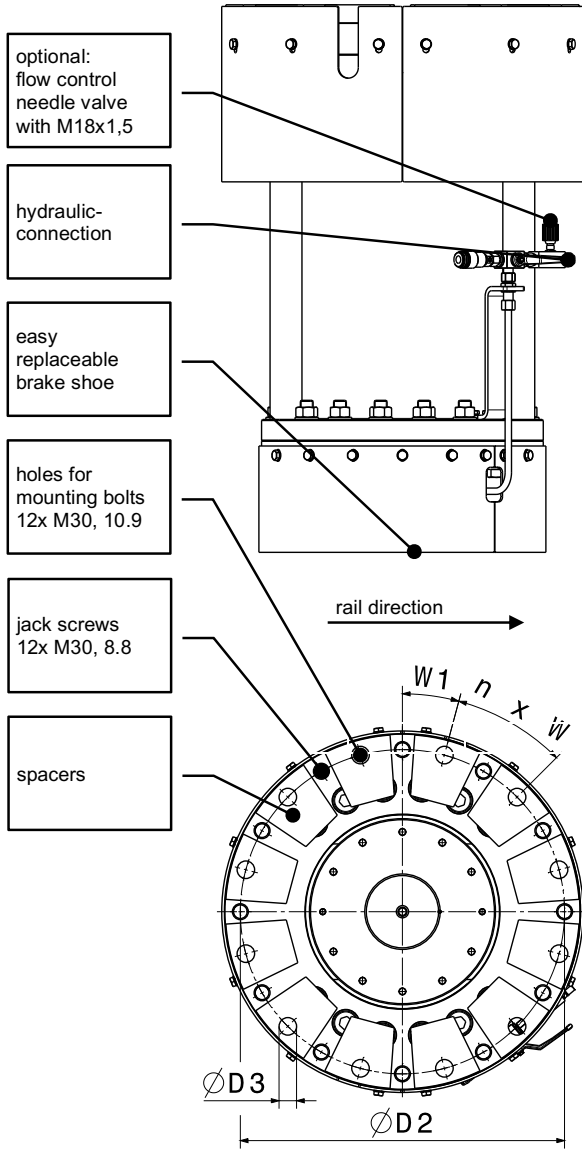


HYDRAULIC RAIL PUSHER

RPS 800



M 1501 449 E-EN-2017-10



HYDRAULIC DATA:

medium: HLP-hydraulic oil DIN 51524-T2
HLP Synth 32 standard

temperature range: [-15°C.....+40°C]

we recommend: SIBRE-hydraulic power pack V3.C-S *) for RPS 800
with electronic control box acc. data sheet M 1501 264 E

*) max. 2 brakes per power pack dimensional drawings upon request

Type	H1 mm	H2 mm	B1 mm	+T mm	-T mm	D1 mm	D2 mm	D3 mm	D4 mm	W1	n x W
RPS 800	1040	94	150	+8	-8	670	610	33	530	15°	12 x 30°
Type	Holding force	Holding force at max. rail tolerance		Release pressure	max. operating pressure	Hydraulic-connection	Weight				
		+T	-T								
RPS 800	400 kN	500 kN	300 kN	180 bar	210 bar	1/2"	1320 kg				