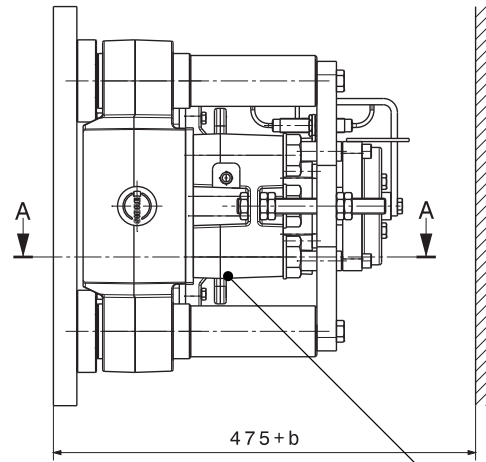
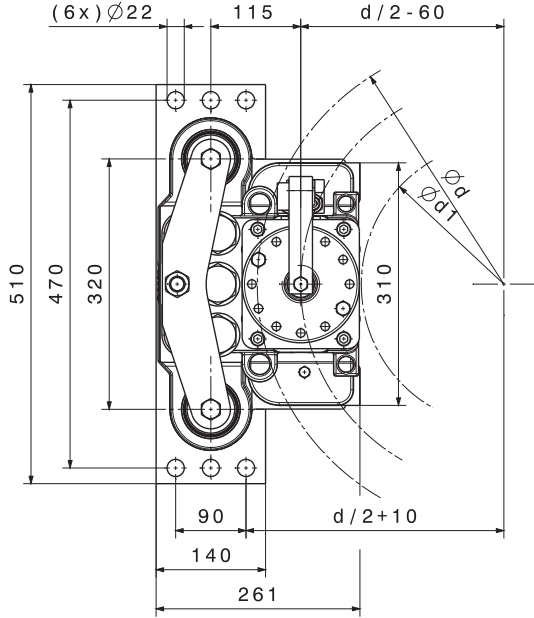


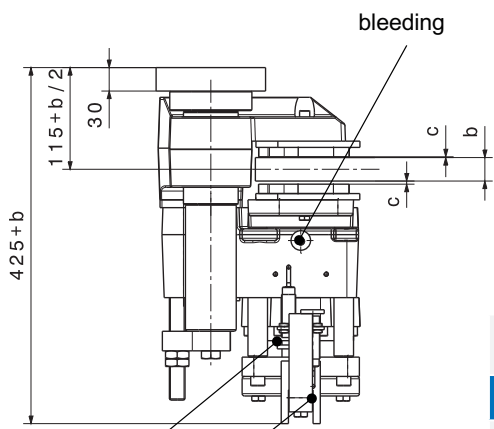
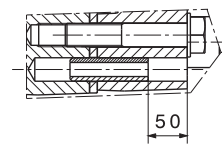
CALIPER BRAKE

SHI 100 FC with flange

M 1501 294 E-EN-2016-12



Schnitt A-A section hydraulic connection M16x1,5



manual release device is optionally available

optional: proximity switch "lining wear"
optional: proximity switch "brake open/ close"

Mounting Studs				
Type SHI FC		101 - 103	104 - 105	106 - 107
n	quantity	6	6	6
	size, grade	M20, 12.9	M20, 12.9	M20, 12.9
M _A	fastening torque Nm	690 at μ = 0,14	690 at μ = 0,14	690 at μ = 0,14
Linings				
	material	sinter		
	friction coefficient*	0,4		

SHI-Type		1	2	3	4	5	6	7	
Clamping Force F _A									
F _A	with airgap c = 1,0 mm	kN	28,0	43,7	52,2	68,7	77,0	98,0	115,0
F _A	with airgap c = 1,5 mm	kN	27,0	41,3	48,8	62,7	74,4	88,0	94,0
Torque Calculation									
M _{Br}	braking torque	Nm	2 x F _A x μ x (d/2-60)						
Hydraulic									
PL	release pressure	bar	35	50	60	80	95	145	175
P _{max}	max. pressure	bar	110	110	110	110	150	175	205
V _{max}	volume at c = 1,5 mm	ltr	0,034						
Brake Discs									
b	disc thickness	mm	20 ≤ b ≤ 40						
d	disc-Ø	mm	650 ≤ d ≤ 3000						
d ₁	max. hub or drum-Ø	mm	d-280 mm						
Dimensions									
L x B x H = 261 x (425+b) x 510 mm									
max. weight: 155 kgs									

*average friction coefficient with standard material combination and a circumferential speed up to 15 m/s

When ordering please advise: right hand version, as shown; left hand version, mirror inverted!