

CALIPER BRAKE

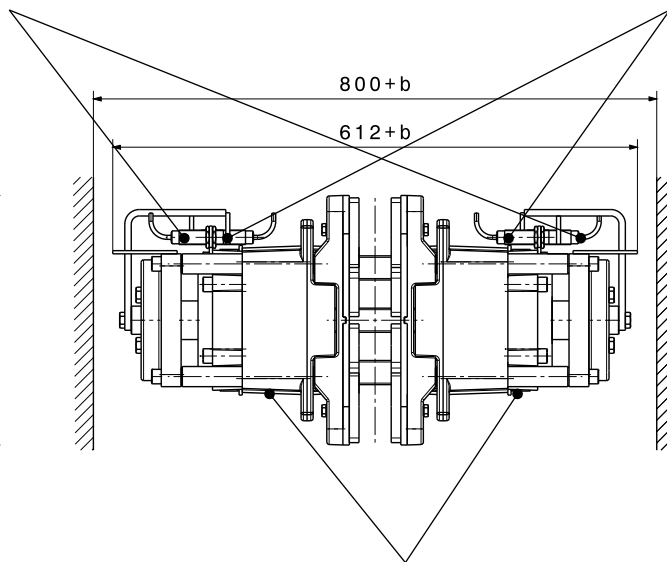
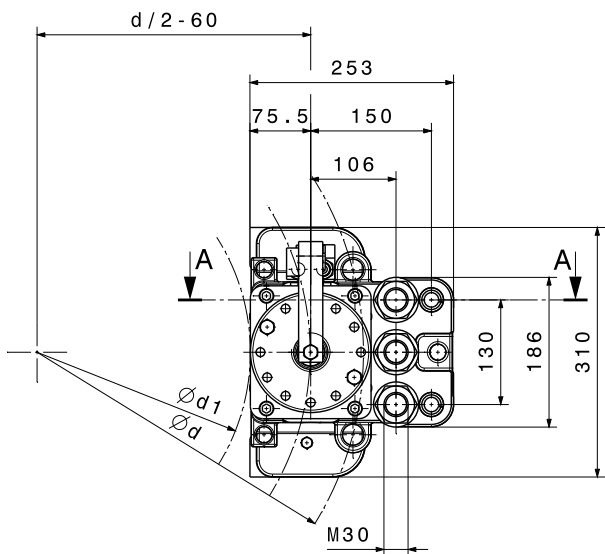
SHI 103



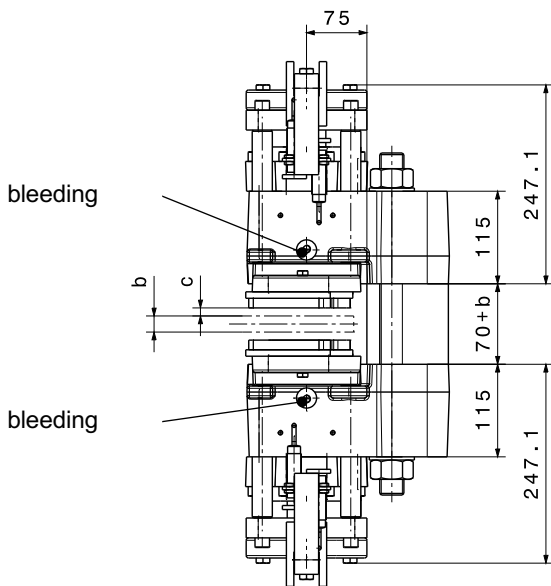
M 1501 101 01 E-EN-2017-01

optional: proximity switch "brake open / closed"

optional: proximity switch "lining wear"



hydraulic connection M16x1.5



manual release device is optionally available

Mounting Studs		
n	quantity	3
	size, grade	M30, 8.8
M_A	fastening torque Nm	1450 at $\mu=0,14$
Linings		
	material	sinter
	friction coefficient*	0,4

SHI-Type		103	
Clamping Force F_A			
F_A	with airgap $c = 1$ mm	kN	55,4
F_A	with airgap $c = 2$ mm	kN	52,2
F_A	with airgap $c = 3$ mm	kN	48,8
Torque Calculation			
M_{Br}	braking torque	Nm	$2 \times F_A \times \mu \times (d/2-60)$
Hydraulic			
PL	release pressure	bar	60
P_{max}	max. pressure	bar	110
V_{max}	volume at $c = 2,0$ mm	ltr	0,046
Brake Discs			
b	disc thickness	mm	≥ 20
d	disc- \emptyset	mm	≥ 650
d_1	max. hub or drum- \emptyset	mm	d-280mm
Dimensions			
L x B x H = 253 x (612+b) x 310 mm			
weight: 130 kgs			

*average friction coefficient with standard material combination and a circumferential speed up to 15 m/s