



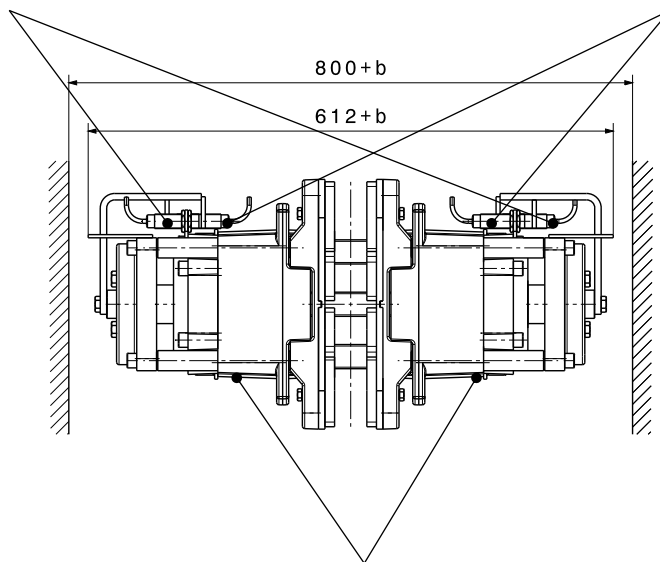
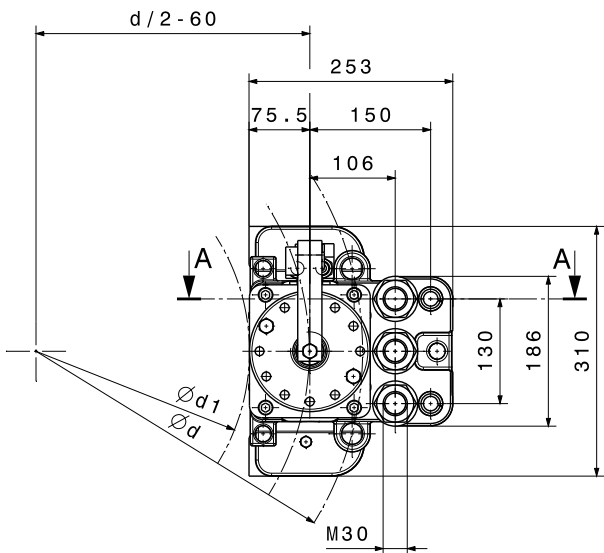
CALIPER BRAKE

SHI 104 & 105

M 1501 101 01 E-EN-2017-01

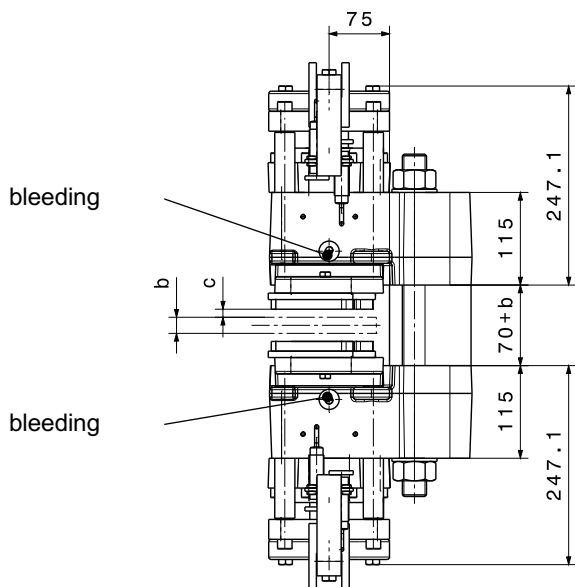
optional: proximity switch "brake open / closed"

optional: proximity switch "lining wear"



hydraulic connection M16x1.5

manual release device is optionally available



Mounting Studs			
n	quantity		3
	size, grade		M30, 12.9
M_A	fastening torque	Nm	2400 at $\mu=0,14$
Linings			
	material		sinter
	friction coefficient*		0,4

SHI-Type		104	105	
Clamping Force F_A				
F_A	with airgap $c = 1 \text{ mm}$	kN	74,1	83,2
F_A	with airgap $c = 2 \text{ mm}$	kN	68,7	77,0
F_A	with airgap $c = 3 \text{ mm}$	kN	62,7	74,4
Torque Calculation				
M_{Br}	braking torque	Nm	$2 \times F_A \times \mu \times (d/2-60)$	
Hydraulic				
PL	release pressure	bar	80	95
P_{max}	max. pressure	bar	110	150
V_{max}	volume at $c = 2,0 \text{ mm}$	ltr	0,046	
Brake Discs				
b	disc thickness	mm	≥ 20	
d	disc- \emptyset	mm	≥ 650	
d1	max. hub or drum- \emptyset	mm	d-280mm	
Dimensions				
L x B x H = 253 x (612+b) x 310 mm				
weight: 130 kgs				

*average friction coefficient with standard material combination and a circumferential speed up to 15 m/s