

CALIPER BRAKE

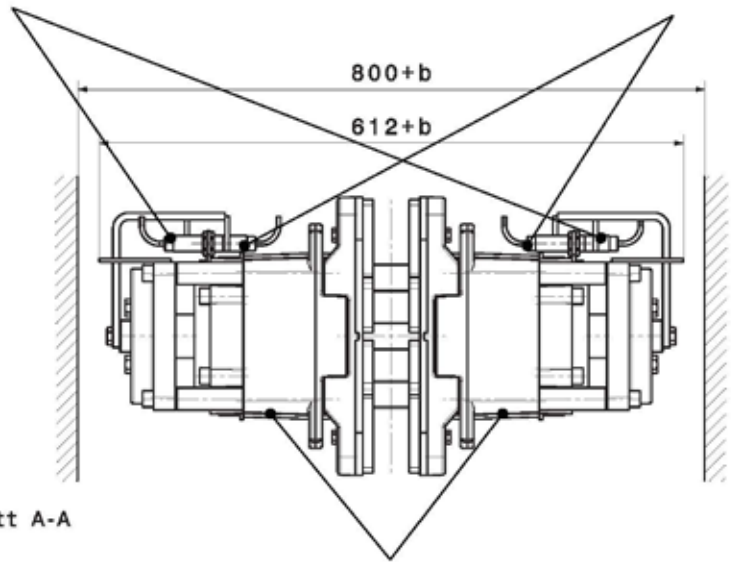
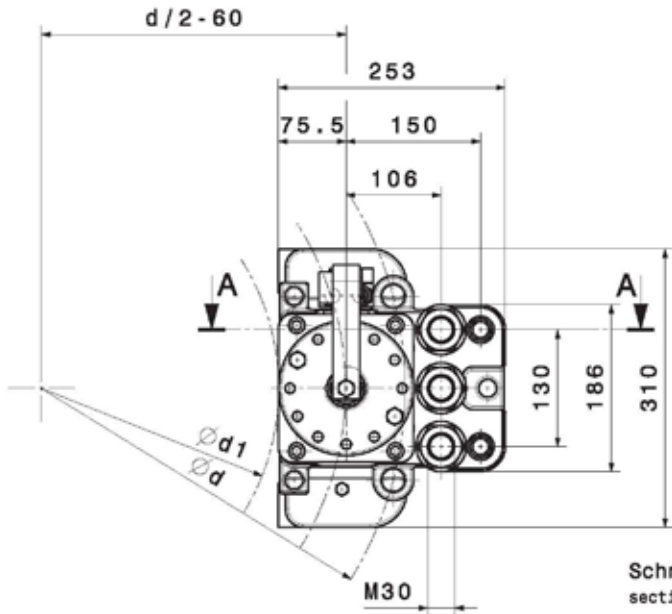
SHI 106 & 107



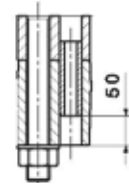
M 1501 101 01 E-EN-2017-01

optional: proximity switch "brake open / closed"

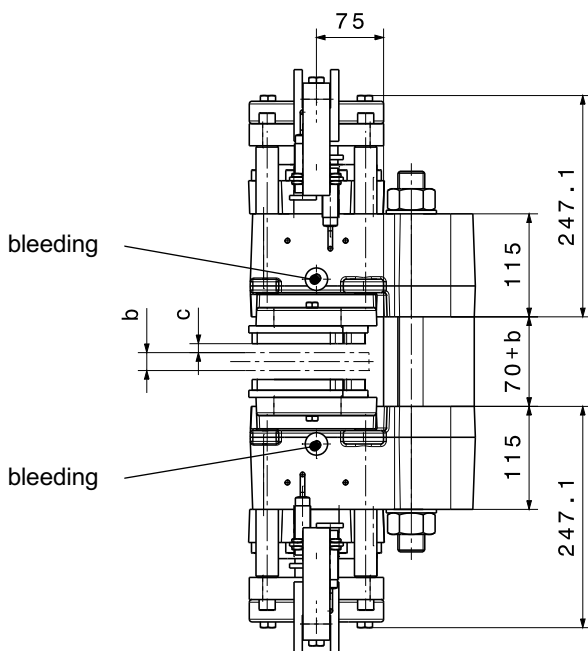
optional: proximity switch "lining wear"



Schnitt A-A section



hydraulic connection M16x1.5



manual release device is optionally available

Mounting Studs		
n	quantity size, grade	3x M30, 12.9 + 4x DIN1481 Ø30x100
M _A	fastening torque Nm	2400 at μ=0,14
Linings		
	material	sinter
	friction coefficient*	0,4

SHI-Type		106	107	
Clamping Force F_A				
F _A	with airgap c = 1 mm	kN	110	140
F _A	with airgap c = 2 mm	kN	98	115
F _A	with airgap c = 3 mm	kN	88	94
Torque Calculation				
M _{Br}	braking torque	Nm	2 x F _A x μ x (d/2-60)	
Hydraulic				
PL	release pressure	bar	145	175
P _{max}	max. pressure	bar	175	205
V _{max}	volume at c=2,0 mm	ltr	0,046	
Brake Discs				
b	disc thickness	mm	≥ 20	
d	disc-Ø	mm	≥ 650	
d ₁	max. hub or drum-Ø	mm	d-280mm	
Dimensions				
L x B x H = 253 x (612+b) x 310 mm				
weight: 130 kgs				

*average friction coefficient with standard material combination and a circumferential speed up to 15 m/s