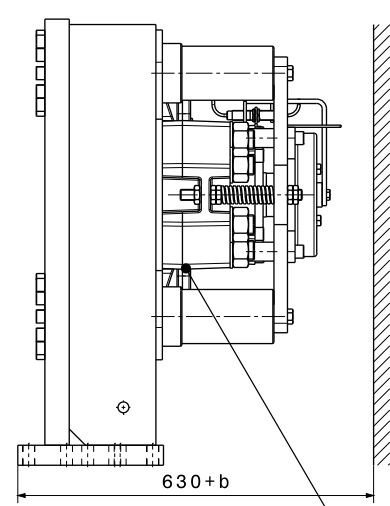
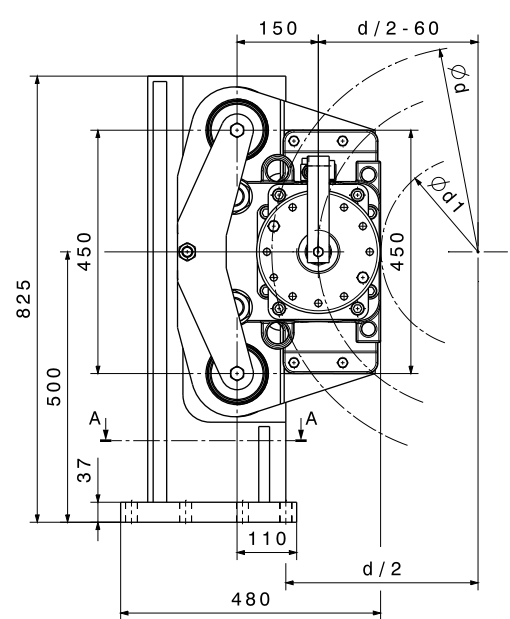




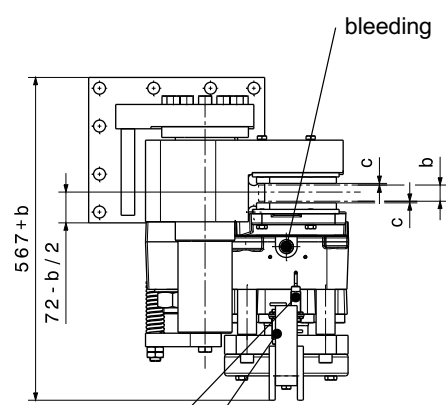
CALIPER BRAKE

SHI 200 FC with console

M 1501 332 E-EN-2016-12

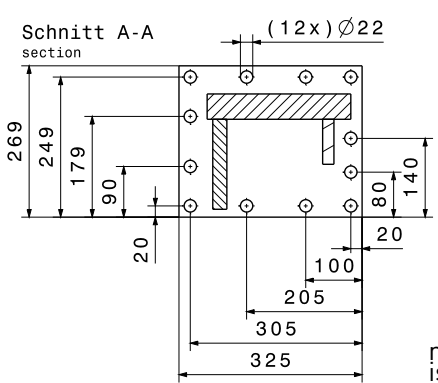


hydraulic connection G 1/2"



optional: proximity switch "lining wear"

optional: proximity switch "brake open / close"



manual release device is optionally available

Mounting Studs			
n	quantity		12
	size, grade		M20, 10.9
M _A	fastening torque	Nm	580 at μ=0,14
Linings			
	material		sinter
	friction coefficient*		0,4

SHI-Type		201 FC	202 FC	
Clamping Force F _A				
F _A	with airgap c = 1,0 mm	kN	160	220
F _A	with airgap c = 1,5 mm	kN	150	200
Torque Calculation				
M _{Br}	braking torque	Nm	2 x F _A x μ x (d/2-60)	
Hydraulic				
PL	release pressure	bar	115	160
P _{max}	max. pressure	bar	150	205
V _{max}	volume at c = 1,5 mm	ltr	0,053	
Brake Discs				
b	disc thickness	mm	20 ≤ b ≤ 40	
d	disc-Ø	mm	≥ 1100	
d ₁	max. hub or drum-Ø	mm	d - 360	
Dimensions				
L x W x H = 480 x (567+b) x 825 mm				
max. weight: 485 kgs				

*average friction coefficient with standard material combination and a circumferential speed up to 15 m/s

When ordering please advise: right hand version, as shown; left hand version, mirror inverted!