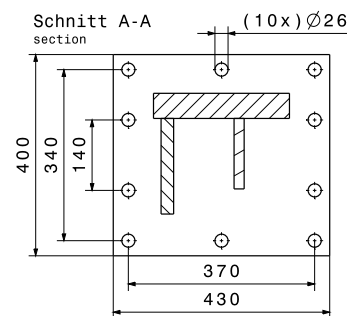
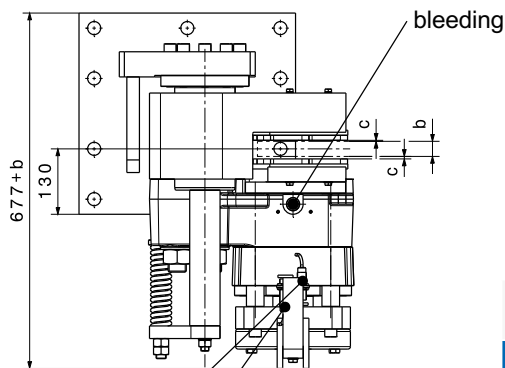
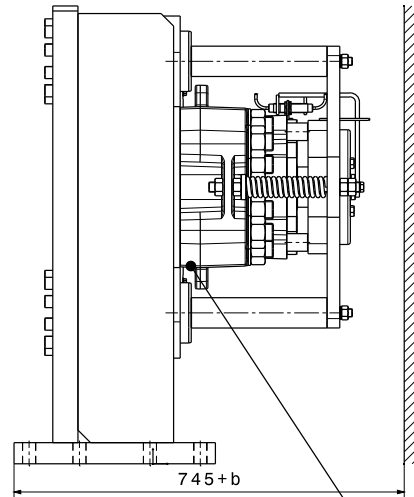
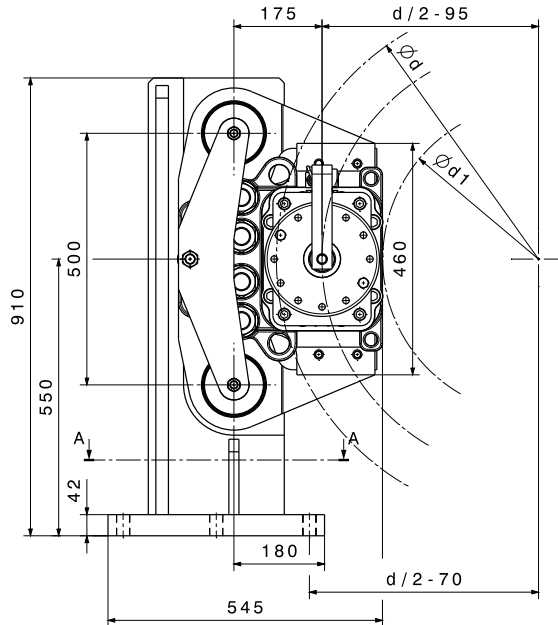




# CALIPER BRAKE

## SHI 230 FC with console

M 1501 395 E-EN-2016-12



hydraulic connection G 1/2"

manual release device is optionally available

optional: proximity switch "lining wear"

optional: proximity switch "brake open / close"

Mounting Studs			
n	quantity	10	
	size, grade	M24, 8.8	
M <sub>A</sub>	fastening torque	Nm	710 at $\mu=0,14$
Linings			
	material	sinter	
	friction coefficient*	0,4	

SHI-Type		231 FC	232 FC	
Clamping Force F <sub>A</sub>				
F <sub>A</sub>	with airgap c = 1,0 mm	kN	240	300
F <sub>A</sub>	with airgap c = 1,5 mm	kN	225	270
Torque Calculation				
M <sub>Br</sub>	braking torque	Nm	2 x F <sub>A</sub> x $\mu$ x (d/2-95)	
Hydraulic				
PL	release pressure	bar	130	170
P <sub>max</sub>	max. pressure	bar	175	205
V <sub>max</sub>	volume at c = 1,5 mm	ltr	0,076	
Brake Discs				
b	disc thickness	mm	20 ≤ b ≤ 40	
d	disc-Ø	mm	900 ≤ d ≤ 2400	
d <sub>1</sub>	max. hub or drum-Ø	mm	d - 440	
Dimensions				
L x W x H = 545 x (677+b) x 910 mm				
max. weight: 660 kgs				

\*average friction coefficient with standard material combination and a circumferential speed up to 15 m/s

When ordering please advise: right hand version, as shown; left hand version, mirror inverted!