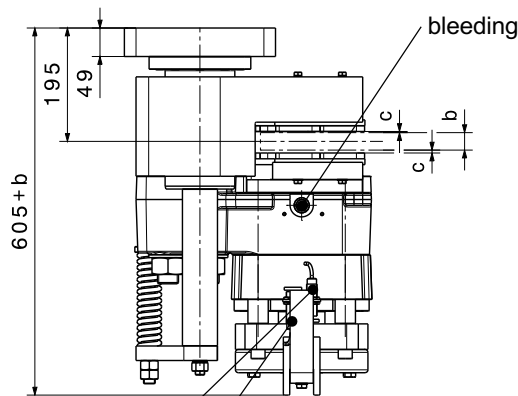
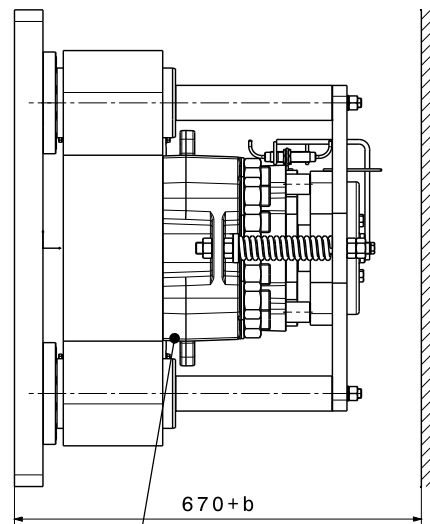
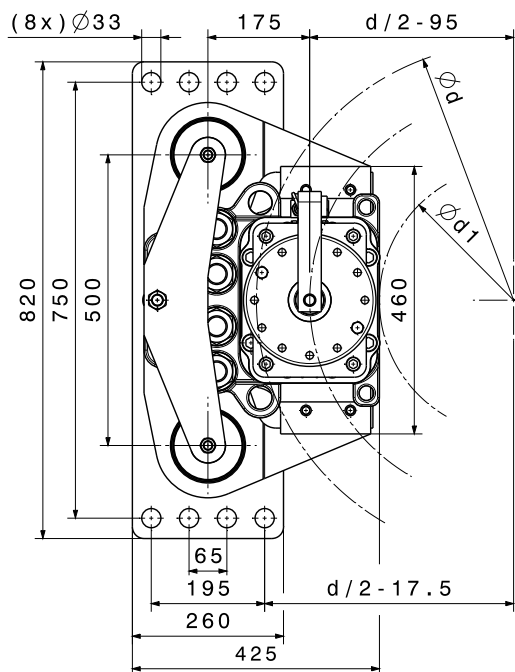


# CALIPER BRAKE

## SHI 230 FC with flange



M 1501 394 E-EN-2016-12



optional: proximity switch "lining wear"

optional: proximity switch "brake open / close"

hydraulic connection G 1/2"

manual release device is optionally available

| Mounting Studs |                       |           |                |
|----------------|-----------------------|-----------|----------------|
| n              | quantity              | 8         |                |
|                | size, grade           | M30, 10.9 |                |
| M <sub>A</sub> | fastening torque      | Nm        | 2000 at μ=0,14 |
| Linings        |                       |           |                |
|                | material              | sinter    |                |
|                | friction coefficient* | 0,4       |                |

| SHI-Type                           |                        | 231 FC | 232 FC                            |     |
|------------------------------------|------------------------|--------|-----------------------------------|-----|
| Clamping Force F <sub>A</sub>      |                        |        |                                   |     |
| F <sub>A</sub>                     | with airgap c = 1,0 mm | kN     | 240                               | 300 |
| F <sub>A</sub>                     | with airgap c = 1,5 mm | kN     | 225                               | 270 |
| Torque Calculation                 |                        |        |                                   |     |
| M <sub>Br</sub>                    | braking torque         | Nm     | 2 x F <sub>A</sub> x μ x (d/2-95) |     |
| Hydraulic                          |                        |        |                                   |     |
| PL                                 | release pressure       | bar    | 130                               | 170 |
| P <sub>max</sub>                   | max. pressure          | bar    | 175                               | 205 |
| V <sub>max</sub>                   | volume at c= 1,5 mm    | ltr    | 0,076                             |     |
| Brake Discs                        |                        |        |                                   |     |
| b                                  | disc thickness         | mm     | 20 ≤ b ≤ 40                       |     |
| d                                  | disc-Ø                 | mm     | 900 ≤ d ≤ 2400                    |     |
| d <sub>1</sub>                     | max. hub or drum-Ø     | mm     | d - 440                           |     |
| Dimensions                         |                        |        |                                   |     |
| L x W x H = 425 x (605+b) x 820 mm |                        |        |                                   |     |
| max. weight: 558 kgs               |                        |        |                                   |     |

\*average friction coefficient with standard material combination and a circumferential speed up to 15 m/s

When ordering please advise: right hand version, as shown; left hand version, mirror inverted!