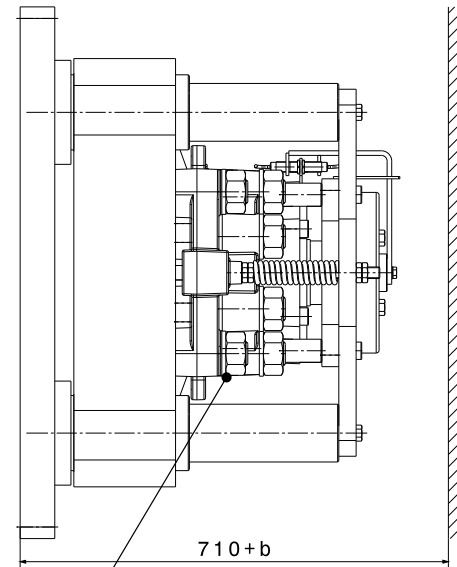
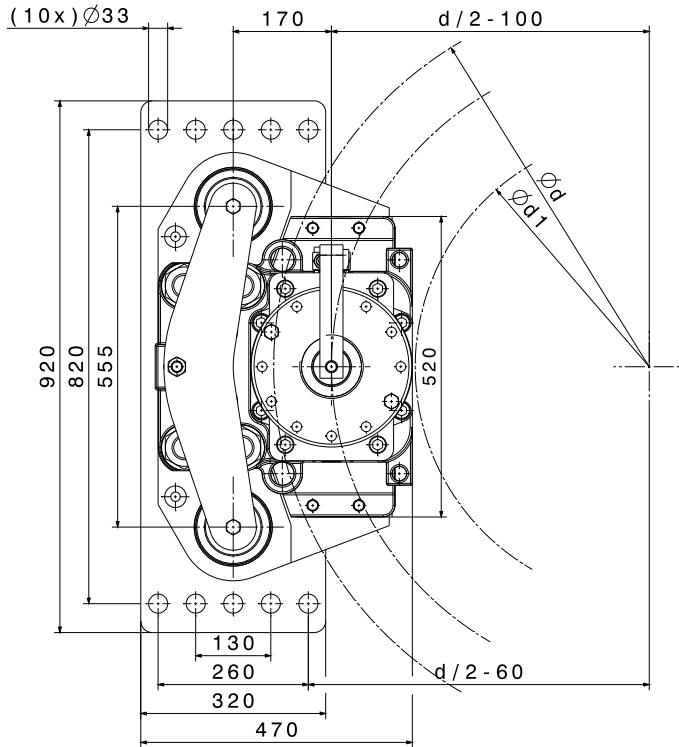


CALIPER BRAKE

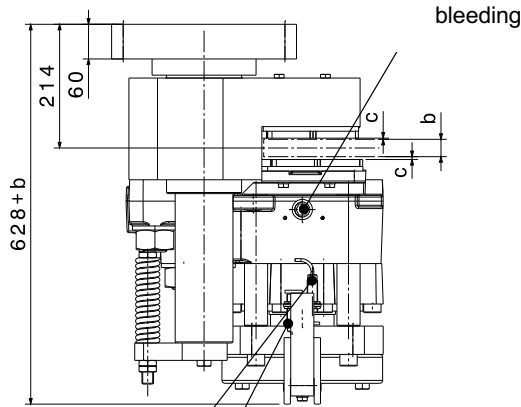
SHI 250 FC with flange



M 1501 429 E-EN-2016-12



hydraulic connection G 1/2"



optional: proximity switch "lining wear"

optional: proximity switch "brake open / close"

manual release device is optionally available

Mounting Studs			
n	quantity	10	
	size, grade	M30, 12.9	
M _A	fastening torque	Nm	2400 at μ=0,14
Linings			
	material	sinter	
	friction coefficient*	0,4	

SHI-Type		251 FC	252 FC	
Clamping Force F _A				
F _A	with airgap c = 1,0 mm	kN	302	400
F _A	with airgap c = 1,5 mm	kN	270	360
Torque Calculation				
M _{Br}	braking torque	Nm	2 x F _A x μ x (d/2-100)	
Hydraulic				
PL	release pressure	bar	105	140
P _{max}	max. pressure	bar	205	205
V _{max}	volume at c= 1,5 mm	ltr	0,106	
Brake Discs				
b	disc thickness	mm	20 ≤ b ≤ 40	
d	disc-Ø	mm	1300 ≤ d ≤ 2200	
d ₁	max. hub or drum-Ø	mm	d-490	
Dimensions				
L x B x H = 470 x (628+b) x 920 mm				
max. weight: 730 kgs				

*average friction coefficient with standard material combination and a circumferential speed up to 15 m/s

When ordering please advise: right hand version, as shown; left hand version, mirror inverted!