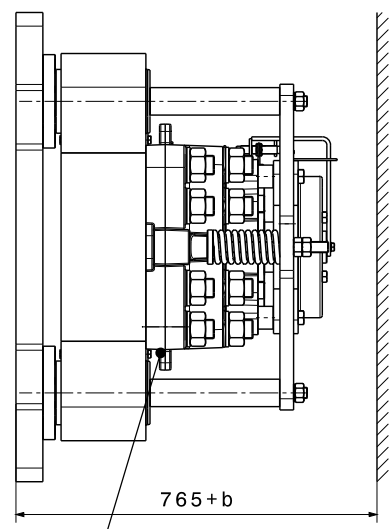
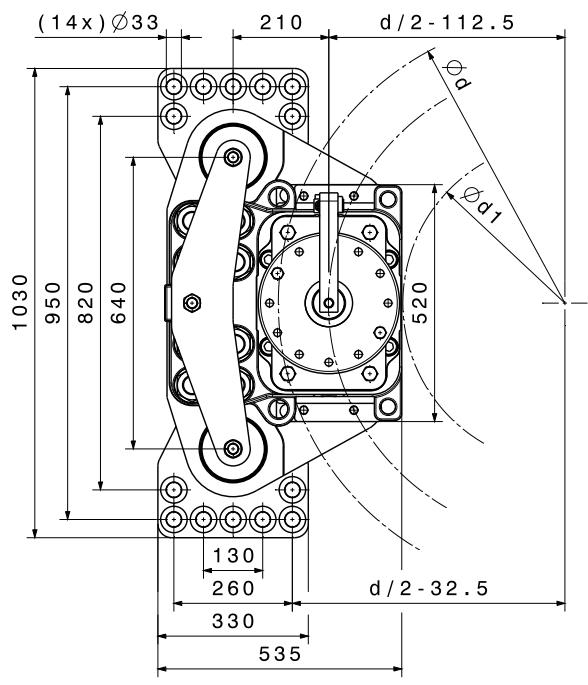


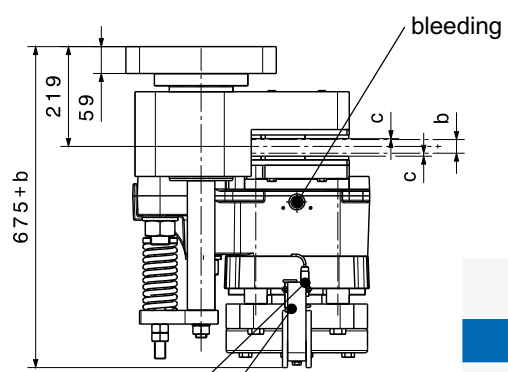


CALIPER BRAKE SHI 280 FC with flange

M 1501 433 E-EN-2016-12



hydraulic connection G 1/2"



manual release device is optionally available

optional: proximity switch "lining wear"

optional: proximity switch "brake open / close"

Mounting Studs			
n	quantity	14	
	size, grade	M30, 10.9	
M _A	fastening torque	Nm	2000 at μ=0,14
Linings			
	material	sinter	
	friction coefficient*	0,4	

SHI-Type		281 FC	282 FC
Clamping Force F _A			
F _A	with airgap c = 1,0 mm	kN	425
F _A	with airgap c = 1,5 mm	kN	395
510			
Torque Calculation			
M _{Br}	braking torque	Nm	2 x F _A x μ x (d/2-112.5)
Hydraulic			
PL	release pressure	bar	135
P _{max}	max. pressure	bar	175
V _{max}	volume at c = 1,5 mm	ltr	0,09
205			
Brake Discs			
b	disc thickness	mm	30 ≤ b ≤ 40
d	disc-Ø	mm	1600 ≤ d ≤ 5000
d ₁	max. hub or drum-Ø	mm	d - 545
Dimensions			
L x W x H = 535 x (675+b) x 1030 mm			
max. weight: 965 kgs			

*average friction coefficient with standard material combination and a circumferential speed up to 15 m/s

When ordering please advise: right hand version, as shown; left hand version, mirror inverted!