

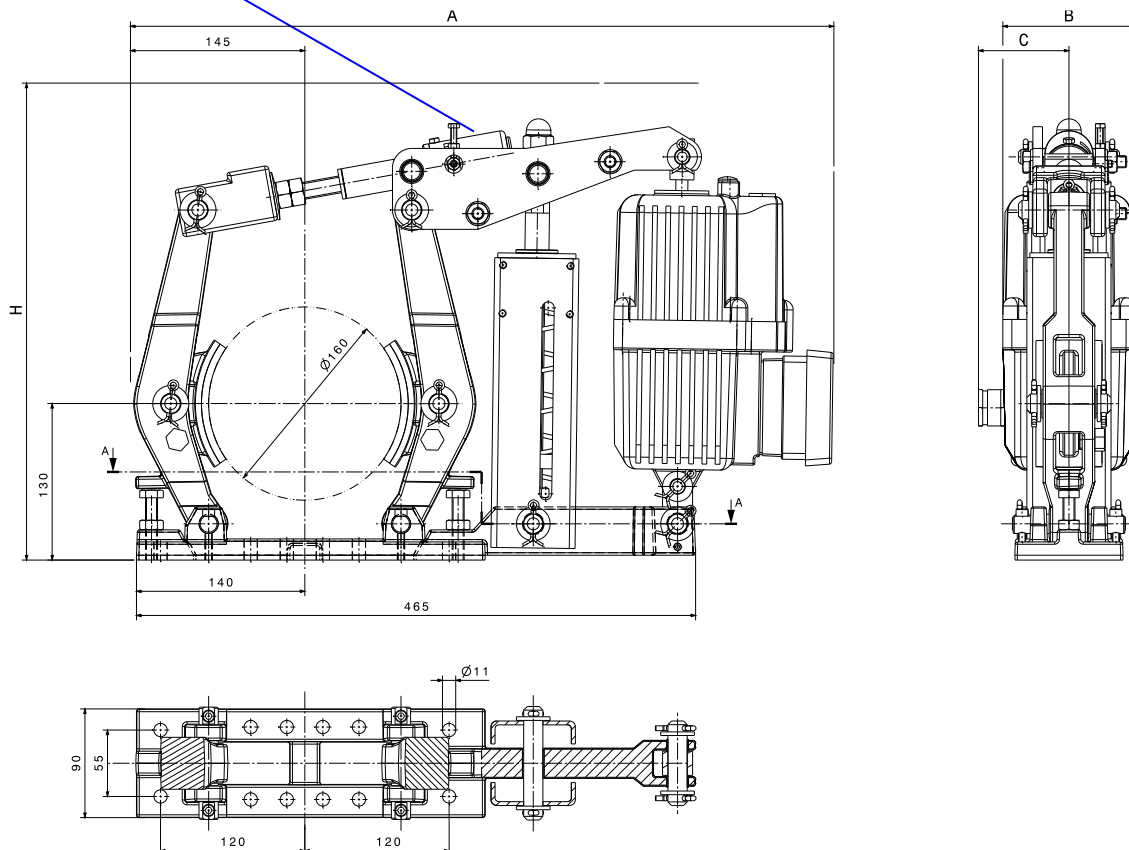
DRUM BRAKE TE 160



M 1501 293 E-EN-2020-01

spring applied, thruster released

option: lining wear compensator



WHEN ORDERING PLEASE ADVISE:

- order-no., e.g. for TE 160/220/50
- power supply voltage of thruster
- with or without autom. wear compensator
- optional features such as limit switch manual release, drum, coupling, covering cap

THRUSTER SIZES

1 = Ed 12/4	10 = EB 120-40
2 = Ed 23/5	20 = EB 220-50

BRAKE-TYPE	Thruster UNIT	MBR. (NM) TORQUE $\mu = 0,4$	A	B	C	H
TE 160	1 / 10	45 - 125	575	110	73	395
	2 / 20	55 - 230	610	162	100	400

spring applied, thruster released

The drum brake TE 160 offer a particularly usability for compact-drives, e. a. vertical mounting, travel drives. Our scope of supply is beneath the brake also mounting

console for adapting gearbox and motor as well as coupling/brake-drum and steel-cover.

supplied by customer

supplied by SIBRE

