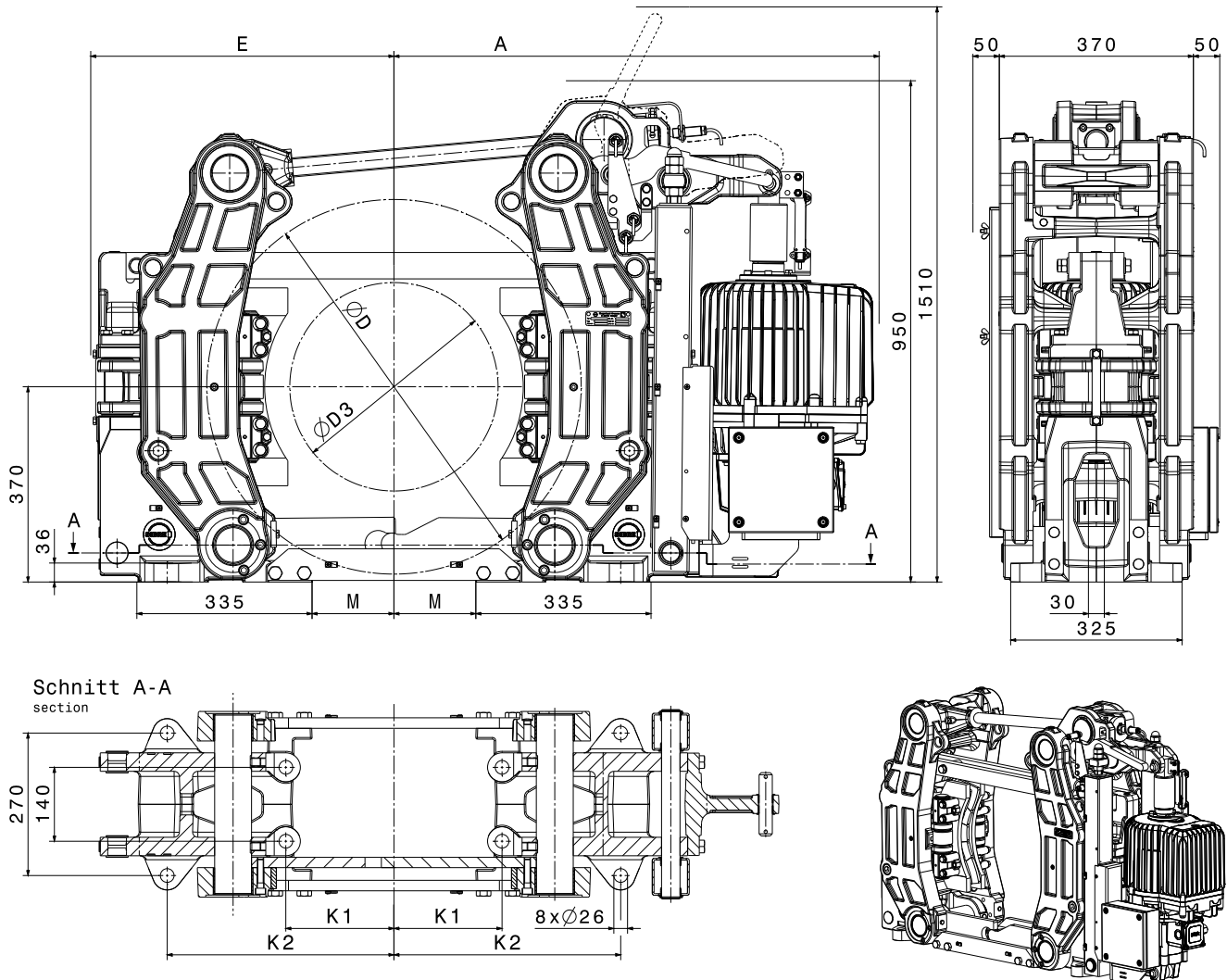


TWIN-CALIPER DISC BRAKE

TEXU G 630 - 710



M 1501 468 E-EN-2019-09



brake type	torque range $\mu=0,4*1$ [Nm]	$\varnothing D$	$\varnothing D_3$ max	E	A	M	K_1	K_2	kg*2
TEXU 630 Ed630/10	13000 - 21000	630	395	535	880	115	165	390	680
TEXU 710 Ed630/10	15000 - 24000	710	395	575	920	155	205	430	685

STANDARD

- pins and rods stainless
- pivot points with DU-bushings
- sinter-linings
- split base plate for easy assembly

OPTIONS

- proximity switches „open“, „closed“, „padwear-limit“, „man. release applied“
- analogue sensors „reserve stroke“, „scale value“
- manual release
- temperature sensors PT100 for brake lining temperature
- terminal-box

*1 = the coefficient of friction μ can be subject to variation caused by several operating factors such as sliding speed, surface pressure, thermal load, disc surface etc. The indicated torques are to be considered for circumferential speeds of up to 65 m/sec and short peak temperatures of up to 650°C. Please contact us for details.

*2 = other hub diameters on request