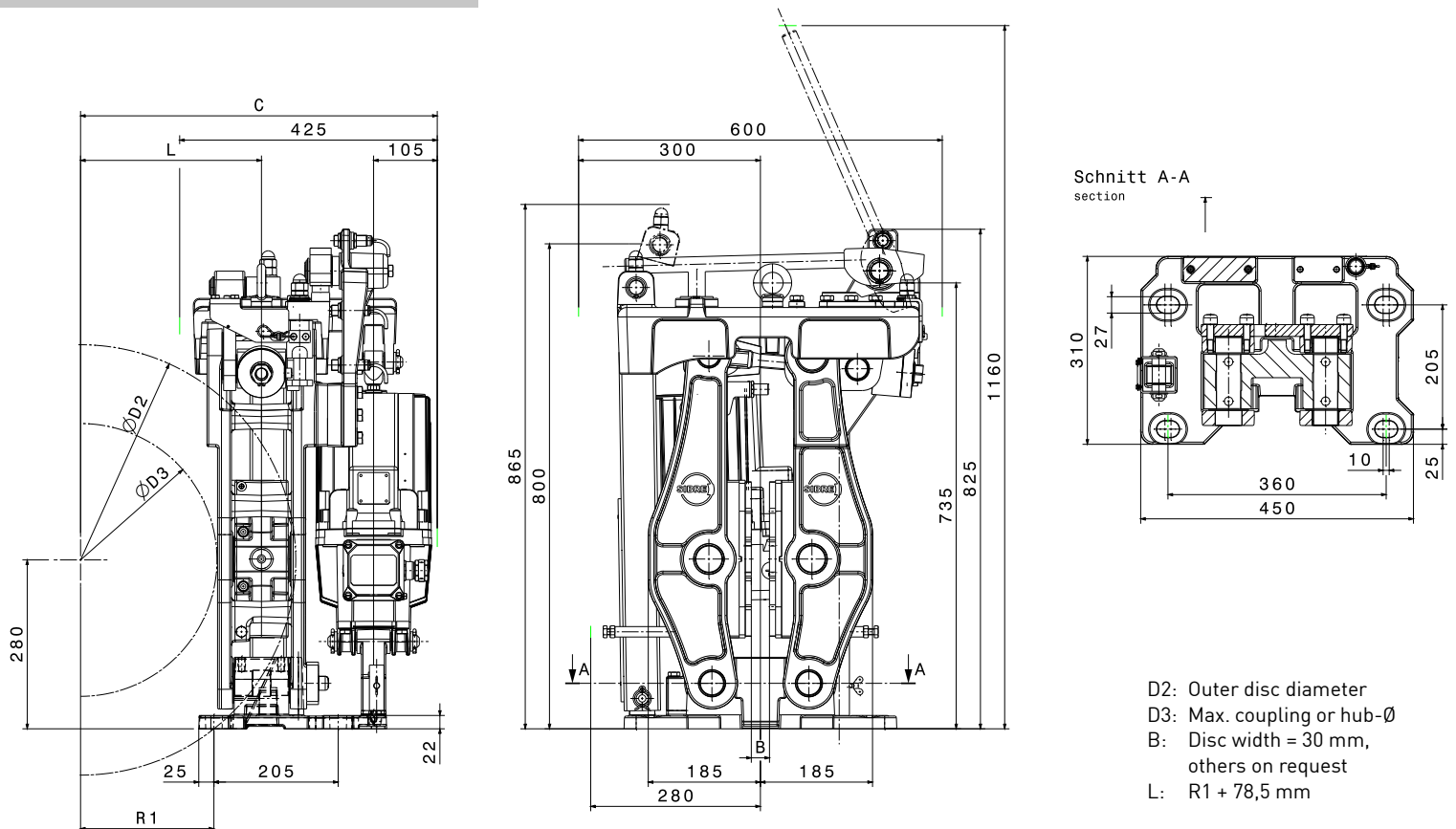


DISC BRAKE USB5-II



M 1501 461 E-EN-2019-05



Thruster type				50/7		80/7		125/7	
Dimensions in mm				Braking torque M in Nm					
D2	D3	R1	C	Mmin	Mmax	Mmin	Mmax	Mmin	Mmax
450	190	95	465	1300	2000	1500	3200	1700	4900
500	240	120	490	1500	2300	1700	3600	1900	5600
560	300	150	520	1800	2700	2000	4200	2200	6400
630	370	185	555	2100	3100	2300	4800	2500	7400
710	450	225	595	2400	3600	2600	5600	2900	8500
800	530	270	640	2700	4100	3000	6400	3300	9800

- Brake linings of sintered material with standard brake disc material S355J2G3
- The specified braking torques are based on an average friction coefficient $\mu_m = 0,4$ with grinded and optimum conditioned brake linings up to a sliding speed of 60 m/s. Deviating parameters can reduce the friction-coefficient.
- Please contact us when using thrusters with lifting- and/ or lowering valves.
- Weight without thruster: 175 kg.
- **Available options:**
 - Special executions for low and high ambient temperature
 - Manual release
 - Inductive sensors for indication "brake open", "brake closed" and/ or "pad wear".
 - Temperature sensor for brake linings
 - Load cell for monitoring of clamping force