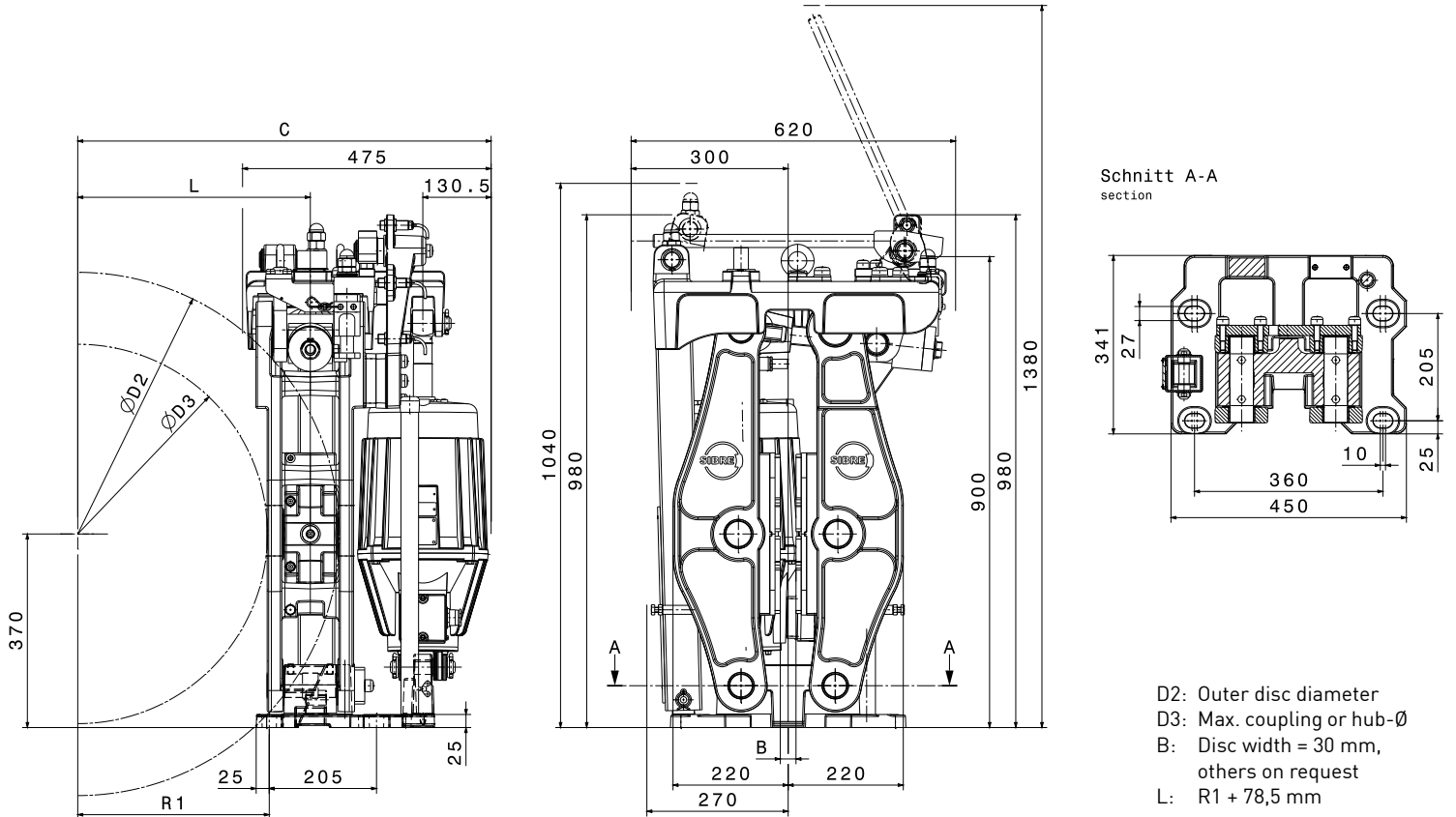


DISC BRAKE

USB5-III – ELHY



M 1501 463 E-EN-2019-07



D2: Outer disc diameter
 D3: Max. coupling or hub- ϕ
 B: Disc width = 30 mm, others on request
 L: R1 + 78,5 mm

Thruster type				1250/ 60		2000/ 60		3000/ 60	
Dimensions in mm				Braking torque M in Nm					
D2	D3	R1	C	Mmin	Mmax	Mmin	Mmax	Mmin	Mmax
560	265	140	564	2500	4000	4000	7000	5000	10000
630	345	181	605	3000	4500	4500	8000	6000	11500
710	425	221	645	3500	5500	5000	9000	7000	13000
800	515	266	690	4000	6000	6000	10500	8000	15000
900	615	316	740	5000	7000	7000	12000	9000	17500
1000	715	366	790	5500	8000	7500	13500	10000	19500

- Brake linings of sintered material with standard brake disc material S355J2G3
- The specified braking torques are based on an average friction coefficient $\mu = 0,4$ with grinded and optimum conditioned brake linings up to a sliding speed of 60 m/s. Deviating parameters can reduce the friction-coefficient.
- Please contact us when using thrusters with lifting- and/ or lowering valves.
- Weight without thruster: 250 kg.
- **Available options:**
 - Special executions for low and high ambient temperature
 - Manual release
 - Inductive sensors for indication "brake open", "brake closed" and/ or "pad wear".
 - Temperature sensor for brake linings
 - Load cell for monitoring of clamping force