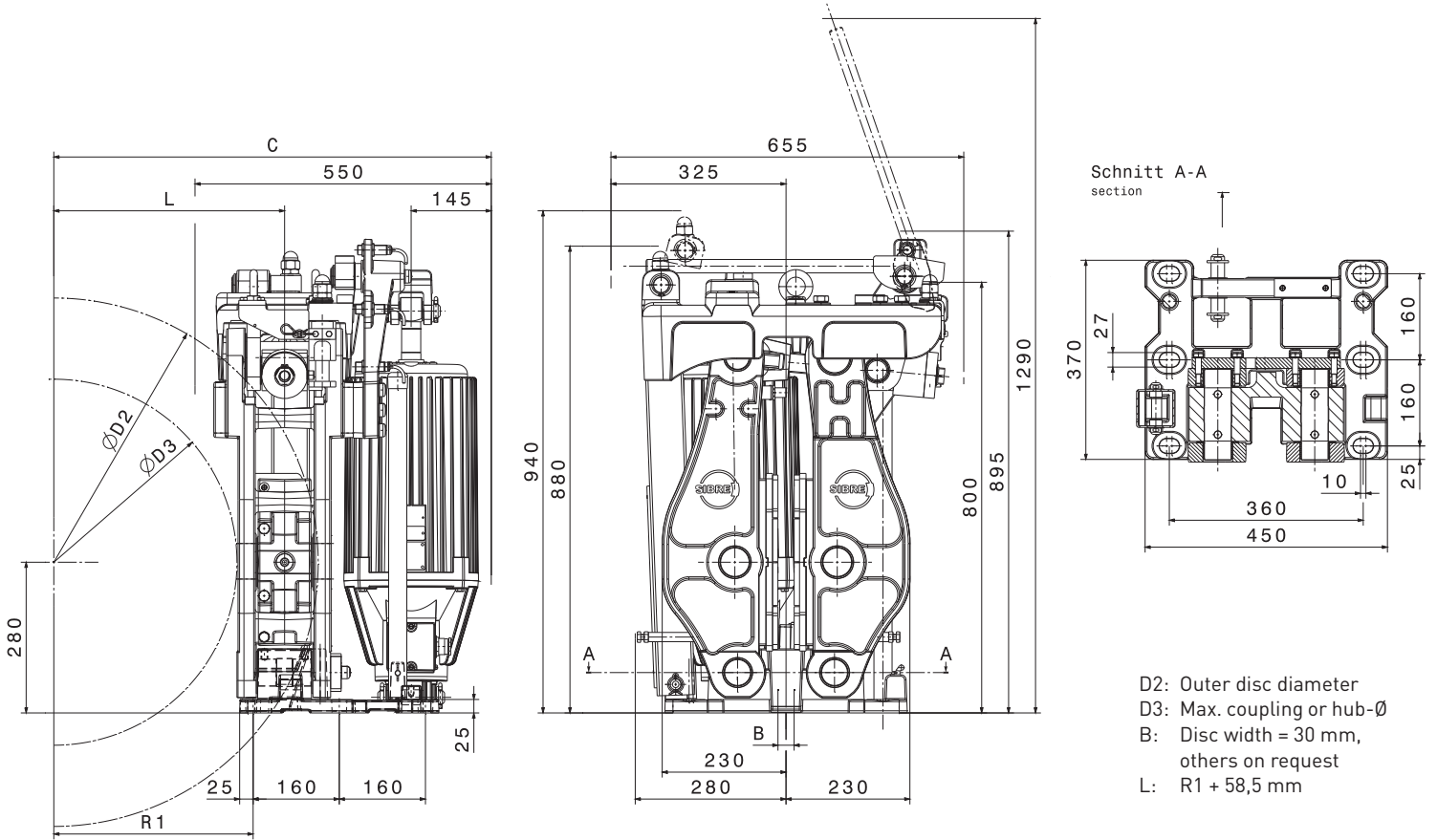


DISC BRAKE

USB5-V – ELHY

M 1501 465 E-EN-2021-01



D2: Outer disc diameter
 D3: Max. coupling or hub-Ø
 B: Disc width = 30 mm, others on request
 L: R1 + 58,5 mm

Thruster type				2000/120		3000/120		6300/120	
Dimensions in mm				Braking torque M in Nm					
D2	D3	R1	C	Mmin	Mmax	Mmin	Mmax	Mmin	Mmax
630	310	185	620	3500	8500	4500	12500	6500	15500
710	390	225	660	4000	10000	5500	14500	7500	18000
800	480	270	705	5000	11500	6000	16500	8500	21000
900	580	320	755	5500	13000	7000	19000	10000	24000
1000	680	370	805	6500	15000	8000	21500	11000	27500

- Brake linings of sintered material with standard brake disc material S355J2G3
- The specified braking torques are based on an average friction coefficient $\mu = 0,4$ with grinded and optimum conditioned brake linings up to a sliding speed of 60 m/s. Deviating parameters can reduce the friction-coefficient.
- Please contact us when using thrusters with lifting- and/ or lowering valves.
- Weight without thruster: 285 kg.
- **Available options:**
 - Special executions for low and high ambient temperature
 - Manual release
 - Inductive sensors for indication "brake open", "brake closed" and/ or "pad wear".
 - Temperature sensor for brake linings
 - Load cell for monitoring of clamping force