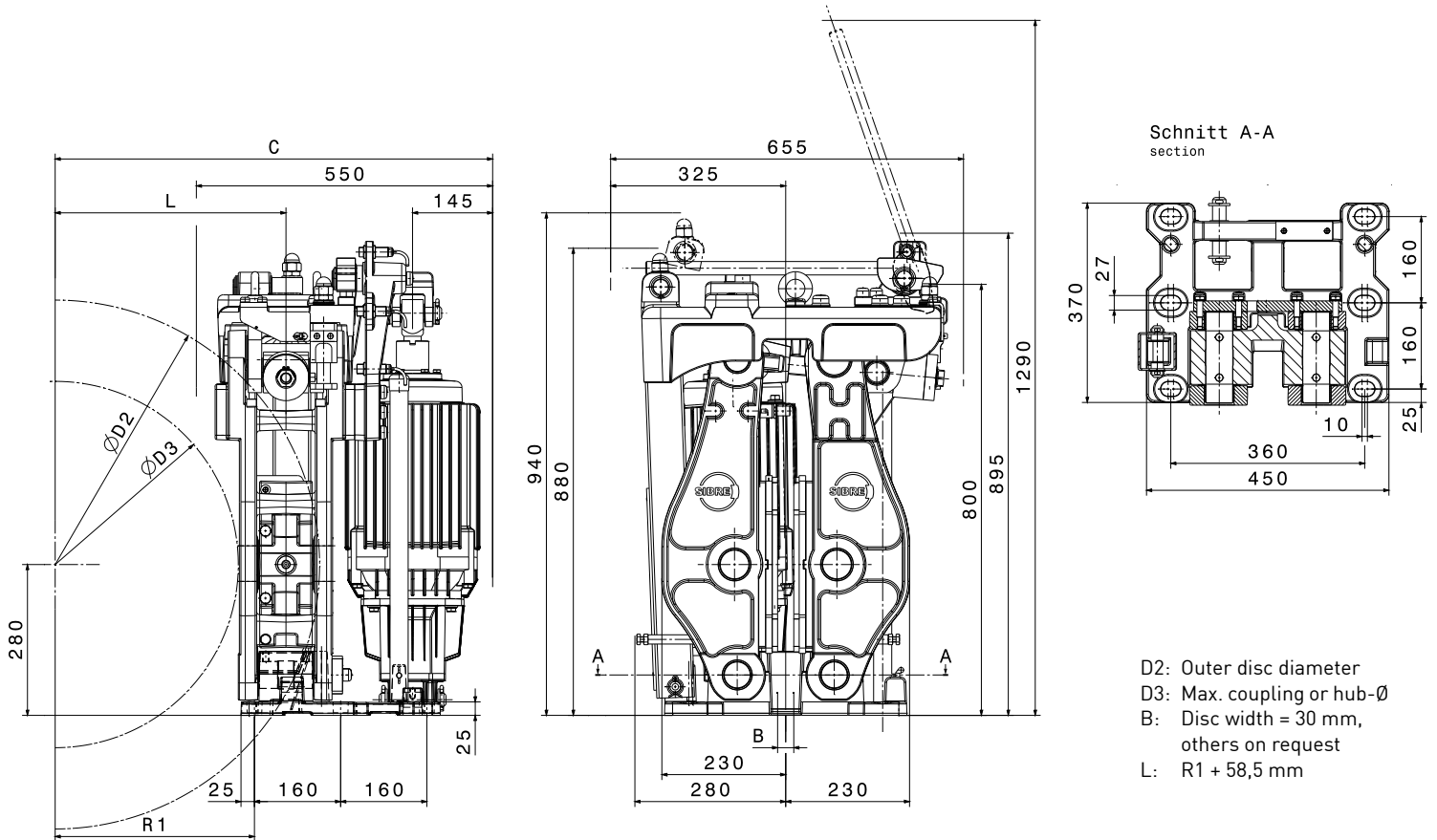




DISC BRAKE USB5-V

M 1501 464 E-EN-2019-05



D2: Outer disc diameter
D3: Max. coupling or hub-Ø
B: Disc width = 30 mm,
others on request
L: R1 + 58,5 mm

Thruster type				201/12	301/12		400/8		500/8		
Dimensions in mm				Braking torque M in Nm							
D2	D3	R1	C	Mmin	Mmax	Mmin	Mmax	Mmin	Mmax	Mmin	Mmax
630	310	185	620	6000	9000	8000	12500	8000	15500	7000	16500
710	390	225	660	7500	10500	9000	14500	9000	18000	8500	19500
800	480	270	705	8500	12000	10500	16500	10500	21000	10000	22500
900	580	320	755	9500	13500	12000	19000	12000	24000	11000	25500
1000	680	370	805	11000	15500	14000	21500	14000	27000	12500	29000

- Brake linings of sintered material with standard brake disc material S355J2G3
- The specified braking torques are based on an average friction coefficient $\mu = 0,4$ with grinded and optimum conditioned brake linings up to a sliding speed of 60 m/s. Deviating parameters can reduce the friction-coefficient.
- Please contact us when using thrusters with lifting- and/ or lowering valves.
- Weight without thruster: 285 kg.
- Thruster position: For 500/8 as shown, all others turned by 180°

- **Available options:**
 - Special executions for low and high ambient temperature
 - Manual release
 - Inductive sensors for indication "brake open", "brake closed" and/ or "pad wear".
 - Temperature sensor for brake linings
 - Load cell for monitoring of clamping force