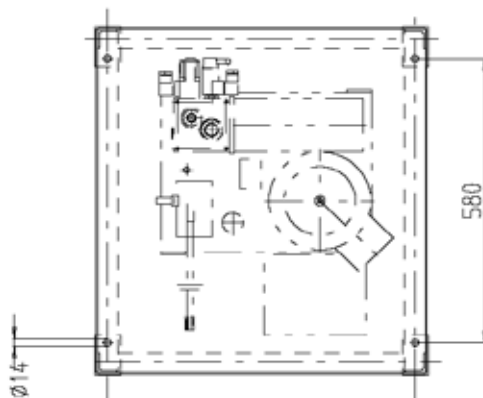
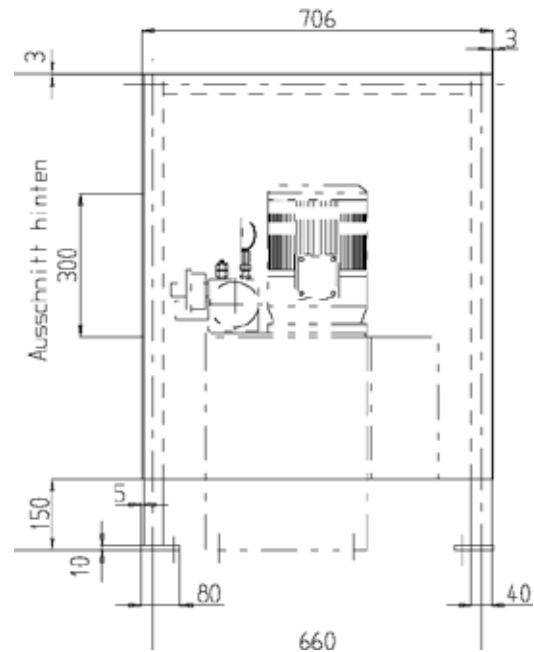
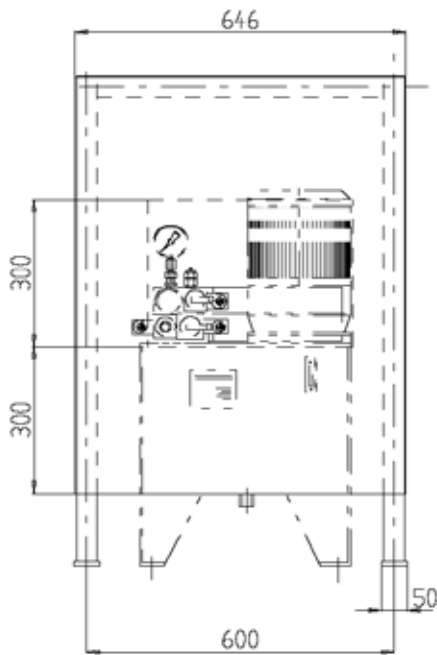




# HYDRAULIC POWER UNIT COVER FOR H-SF 3

M 1501 311 E-EN-2004-12



Cover for Hyd. Power Packs V3 with removable front plate and rear-side inspection window

- robust welded steel structure with bolted cover plates
- available in powder coated steel version (version A) or completely made of stainless steel (version B)

### ORDERING INSTRUCTIONS

When ordering please advise:

- Cover for Hydr. Power Pack V3
- acc. to data sheet M 1501 311 E
- version A (powder coated)
- version B (stainless steel)